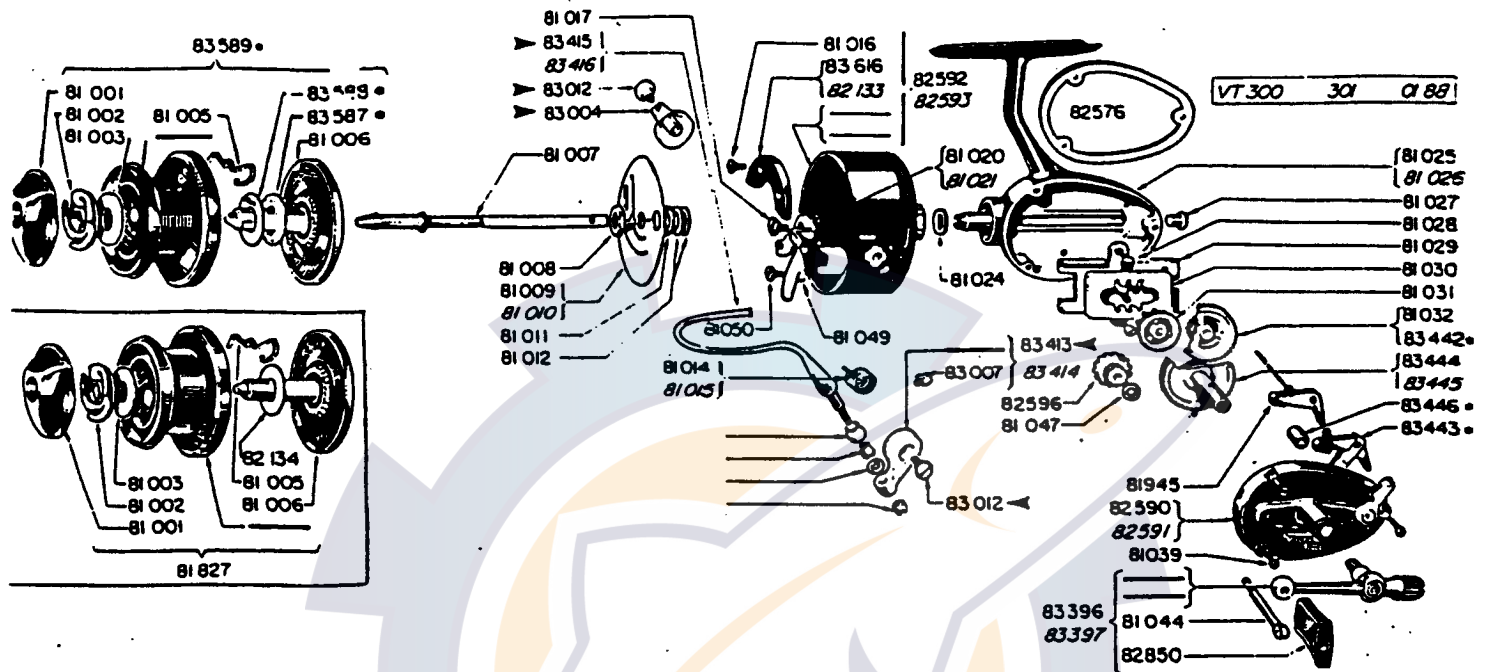


The Italized part numbers are only for the 301.



➤ BAIL ASSEMBLY COMPLETE

Part No.	Part Name
81001	DRAG ADJUSTING KNOB
81002	STEEL BRAKE SPRING
81003	TEFLON DRAG WASHER
81005	STEEL CLICK SPRING
81006	SPINDLE
81007	STEEL AXLE
81008	STEEL HEX NUT
81009	BAFFLE PLATE
81010	BAFFLE PLATE
81011	BAFFLE PLATE WASHER
81012	SHIMS/ADJ HEAD & DR GEAR
81014	STEEL BAIL SPRING
81015	STEEL BAIL SPRING
81016	COUNTERWEIGHT SCREW
81017	BRASS TRIP LEVER SCREW
81020	STEEL TRIP LEVER
81021	STEEL TRIP LEVER
81024	BRASS ADJUSTMENT SHIMS
81025	ALUMINUM ALLOY HOUSING
81026	ALUMINUM ALLOY HOUSING
81027	LUBE PORT SCREW
81028	OSCILLATION GUIDE SCREW
81029	OSCILLATION GUIDE
81030	OSCILLATION SLIDE
81031	PIVOT GEAR
81032	TRANSFER GEAR
81039	BRASS COVER SCREW
81044	HANDLE KNOB SCREW
81047	SHIMS/ADJ. PINION GEAR
81049	TRIP LEVER SPRING
81050	TRIP LEVER SPRING SCREW
81091	SPOOL ARBOR
81827	SPOOL—SHALLOW GRAPHITE
81945	ANTI-REVERSE DOG

Part No.	Part Name
82133	LEAD LEFT COUNTERWEIGHT
82134	FIBRE WASHER
82576	COVER PLATE SEAL
82590	ALUM.ALLOY COVER PLATE
82591	ALUM.ALLOY COVER PLATE
82592	ALUM.ALLOY ROTATING HEAD
82593	ALUM.ALLOY ROTATING HEAD
82596	ZINC ALLOY PINION GEAR
82850	HANDLE KNOB
83004	BAIL WIRE BRACKET
83007	BAIL BUMPER
83012	BRASS BAIL SCREW N1
83064	BAIL ASSEMBLY COMPLETE
83381	BRASS ROLLER LINE GUIDE
83382	ROLLER LINE GUIDE BUSHING
83383	BRASS LINE GUIDE RACE
83384	BRASS BAIL HEX NUT
83396	HANDLE COMPLETE
83397	HANDLE COMPLETE
83413	BAIL ARM
83414	BAIL ARM
83415	STEEL BAIL WIRE
83416	STEEL BAIL WIRE
83442	TRANSFER GEAR
83443	ANTI-REVERSE CLICK
83444	STEEL DRIVE GEAR
83445	STEEL DRIVE GEAR
83446	BRASS TRANSF. GR. SPACER
83587	LEATHER DRAG WASHER
83588	BRONZE FRICTION WASHER
83589	SPOOL—STANDARD GRAPHITE
83618	LEAD COUNTERWEIGHT
83668	SPOOL—DEEP METAL